

# ROTO-CON® ROTARY PHASE CONVERTERS

051112

## FOR CENTER PIVOT IRRIGATION SYSTEMS

CONVERTER SIZE	1Ø FLA @480V	APPROXIMATE WEIGHT (LBS)	
		ODP	TEFC
CP-3	10	72	112
CP-5	15	100	157
CP-7.5	24	120	180
CP-10	31	190	265
CP-15	47	240	282
CP-20	63	335	NA
CP-25	78	360	NA

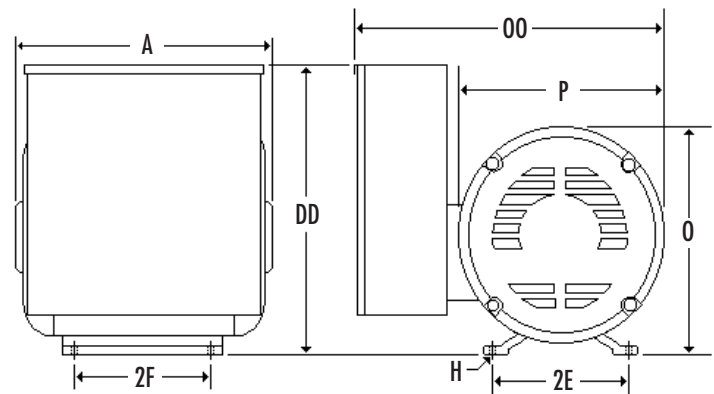
TEFC (Totally Enclosed Fan Cooled) for use in areas where severe dust, sand or water environments exist. 1Ø Step-Up transformer will be required if power source is less than 460V.

### To Select Required ROTO-CON® CP

1. Code Letter, Total FLA Ratings of CP Drive Motors must be known.
2. Look below for appropriate Code Letter column and maximum amps allowed for ROTO-CON® rating.
3. If HP of additional motor(s) exceeds what is listed, the next size ROTO-CON® is required.

If you have any questions or need assistance selecting a unit, please call Toll Free: 1-800-221-7665

MAXIMUM TOTAL PIVOT MOTOR AMPS COLUMNS				
CONVERTER SIZE	CODE LETTER A - L	CODE LETTER M - R	CODE LETTER S - V	MAX. HP OF ADD. MOTORS
CP-3	6.3	5.4	3.6	1
CP-5	10.3	8.9	5.7	2
CP-7.5	14.9	12.8	8.3	3
CP-10	21.6	18.6	12.0	5
CP-15	29.7	25.6	16.5	7.5
CP-20	43.2	37.1	24.0	10
CP-25	54.0	46.4	30.0	10



 US LISTED

### DIMENSIONS OF ROTARY BASE AND PANEL CONTROL (SEE ILLUSTRATION ABOVE)

CP SIZE	FRAME	A	2F	2E	H	O	P	DD	OO
OPEN DRIP-PROOF MODELS									
3	184	11-1/2	5-1/2	7-1/2	13/32	8-7/16	7-7/8	12	14-3/4
5	213	12-1/2	4-1/2	8-1/2	13/32	10-1/16	9-9/16	11-1/4	15
7.5	215	12-1/2	6-1/2	8-1/2	13/32	10-1/16	9-9/16	11-1/4	15
10	254	15-1/4	8-1/4	10	17/32	12	11-1/2	14	18
15	256	14-1/4	10	10	17/32	12	11-1/2	14	18
20	286	19	11	11	17/32	13-5/8	13-1/4	15-1/4	22-1/4
25	286	19	11	11	17/32	13-5/8	13-1/4	15-1/4	22-1/4
TEFC MODELS									
3	184	14-5/8	5-1/2	7-1/2	13/32	8-11/16	7-7/8	12	14-3/4
5	213	14-1/8	4-1/2	8-1/2	13/32	10-1/4	9-9/16	14	16-1/2
7.5	215	15-1/4	6-1/2	8-1/2	13/32	10-1/4	9-9/16	14	16-1/2
10	254	16-1/2	8-1/4	10	17/32	12-7/8	12-15/16	15	20
15	256	19-1/4	10	10	17/32	12-7/8	12-15/16	15	21-1/2

Sales Information: 1-800-221-7665



Service & Support: 1-217-563-8333