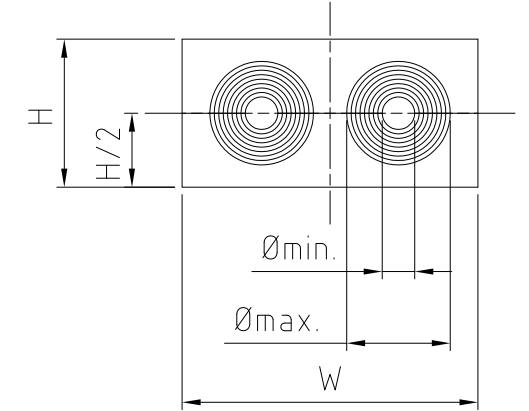
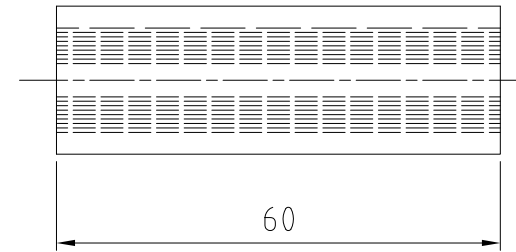


We reserve all rights in this document and in the information contained therein. Reproduction, use or disclosure to third parties without express authority is strictly forbidden. ©ROXTEC INTERNATIONAL AB

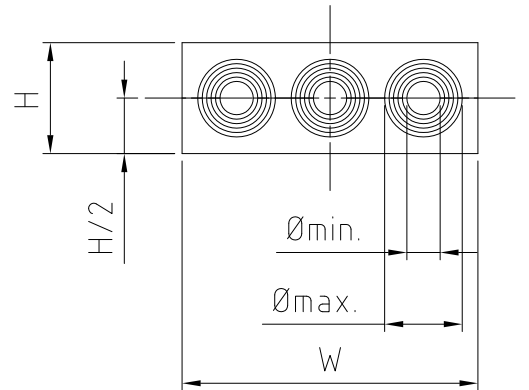
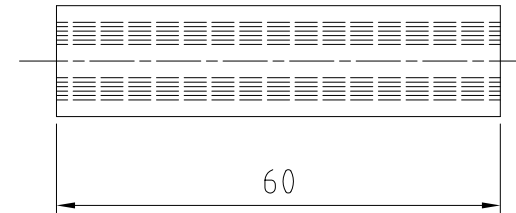
TYPE	W (MM)	H (MM)	Ømin. (MM)	Ømax. (MM)
RM 15	15	15	3	11
RM 15w40	40	15	3.5	10.5
RM 20	20	20	4	14.5
RM 20w40	40	20	3.5	16.5
RM 30	30	30	10	25
RM 40	40	40	21.5	34.5
RM 40 10-32	40	40	9.5	32.5
RM 60	60	60	28	54
RM 60 WOC	60	60	28	54
RM 60 24-54	60	60	24	54
RM80	80	80	48	71
RM80 WOC	80	80	48	71
RM 90	90	90	48	71
RM 90 WOC	90	90	48	71
RM 120	120	120	67.5	99
RM 120 WOC	120	120	67.5	99
RM 30H90	30	90	10	25



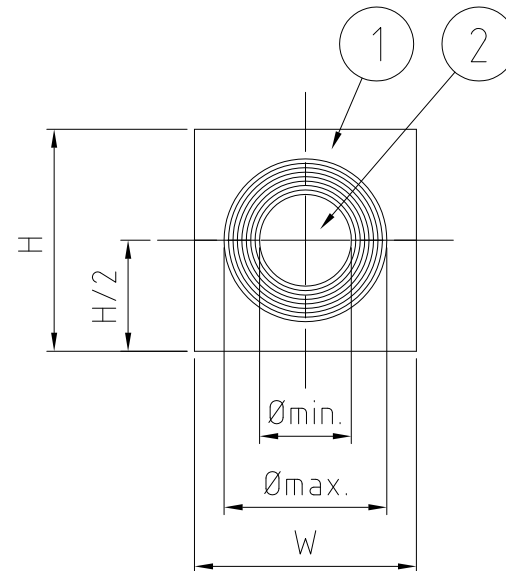
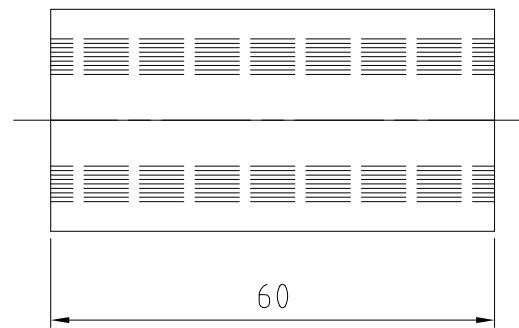
RM 20w40
2 CABLES/MODULE



RM 15w40
3 CABLES/MODULE



ALL TYPES EXCEPT
RM 20w40
RM 15w40
1 CABLE/MODULE



NOTE: 80, 90 AND 120 MODULES STANDARD WOC (WITHOUT CORE).

2	-	CORE	ROXYLON	-
1	-	RUBBER	ROXYLON	-
Item	Qty	Designation	Specification	Net Weight
ROXTEC INTERNATIONAL AB BOX 540 S-371 23 Karlskrona TEL: +46 455 366700 FAX: +46 455 82012		Designed by se-joahel	Created Date 2003-12-12	General tolerance ISO 2768-1/2-m/K EN ISO 13920-BF
		Approved by se-patced	Approved Date 2011-10-21	Welded details EN ISO 5817-B EN ISO 10042-B
		Format A3	Scale 1:1	General surface roughness, Ra 12,5
		Title RM MODULES ASSEMBLY		Projection method
		Restricted due to Information Drawing		Drawing number S1005711
Rev	Type of revision	Date	Sign	Rev

D	TYPE RM 60 WOC, RM 80 WOC, RM 90 WOC, RM 120 WOC ADDED	2011-10-21	se-henols
Rev	Type of revision	Date	Sign

